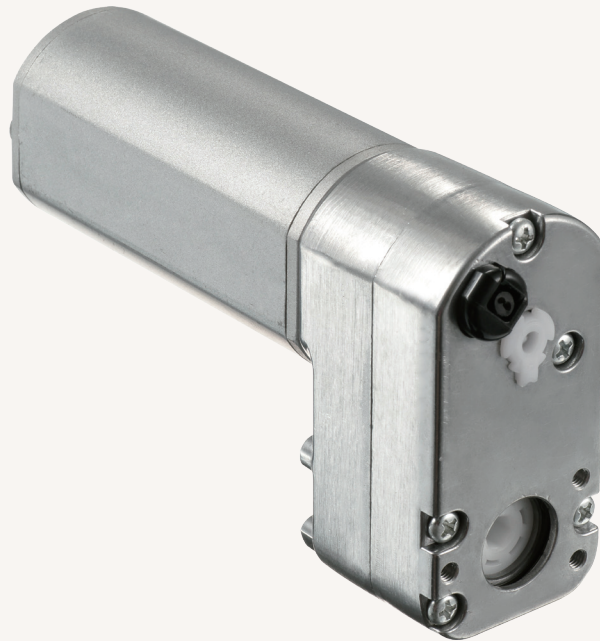


TGM4

series



Product Segments

- **Ergo Motion**

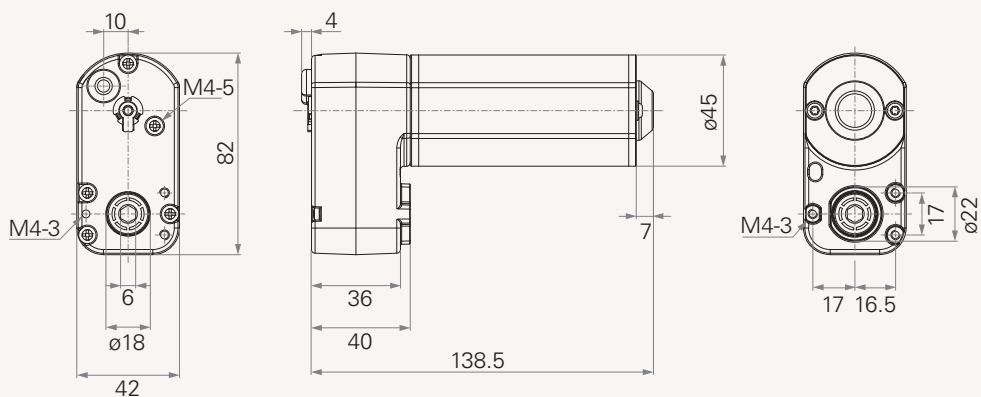
Our product segment-Ergo Motion is established to create an ergonomic works place and enhance staff comfort and productivity. Our Ergo Motion offers a complete desk lifting systems powered by high quality gear motors, control boxes, and handset. Our desk lifting systems provide quick, smooth, and quiet adjustment. TGM4 is one of the Ergo Motion which works with specific designed build-in spindle and external limit switches.

General Features

Voltage of motor	24V DC
Maximum speed	188RPM ($\pm 7\%$) after gear reduction
Torque	3.0Nm after gear reduction
Option	Hall sensor(s)
Hexogen hole for the shaft	by 6mm diameter
Low noise	

Drawing

Dimension Standard



Load and Speed

CODE	Rated Load		Typical Current at Rated Load (A)	Typical Speed	
	Torque (Nm)	Speed (RPM, ±5%)		32V DC (RPM, ±7%)	24V DC (RPM, ±5%)
Motor Speed (3800RPM)					
A	3.0	85	3.5	175	133
Motor Speed (2200RPM)					
B	2.3	46	2.0	102	76
Motor Speed (4100RPM)					
C	2.3	103	3.0	188	140
Motor Speed (3300RPM)					
D	2.0	80	2.0	152	114

Terms of Use

The user is responsible for determining the suitability of TiMOTION products for a specific application.

Due to continuous development in order to improve our products, TiMOTION products are subject to frequent modifications and changes without prior notice.

TiMOTION reserves the right to discontinue the sale of any products displayed on its website or listed in its catalogue or other written materials drawn up by TiMOTION.

TGM4 Ordering Key

TGM4

Version: 20130509-C

↓ <input type="text"/>	Voltage	2 = 24V		
<input type="text"/>	Load and Speed	See appendix		
↓ <input type="text"/>	Output Signals	0 = Without	1 = One Hall sensor	2 = Two Hall sensors
<input type="text"/>	Motor Brake	0 = Without		1 = With
<input type="text"/>	Direction of Brake	0 = Without	1 = Counterclockwise	2 = Clockwise
<input type="text"/>	Plug	0 = Tinned leads	1 = TiMOTION's standard 6pin plug	2 = Molex plug 8PIN A = Customized
<input type="text"/>	Cable Length	0 = Straight, 1000mm 1 = Straight, 1500mm	2 = Straight, 2000mm 3 = Coiled, 1000mm	A = Customized
↓ <input type="text"/>	External Limit Switch (TES2)	0 = Without		1 = With
<input type="text"/>	Output Rotation (If with TES2)	Number of hexagon rotations (up to 35 rotations); if without TES2, the code here will be 00		
<input type="text"/>				